

AVC-VA92SVLT
2.4MP VANDAL DOME AIVF LENS CAMERA



2.4MP HD-TVI VANDAL DOME AIVF LENS CAMERA

2.4MP VANDAL DOME 1080P HD-TVI, SDI, 700TVL (960H), 2.8~12mm MP DC AIVF LENS CAMERA

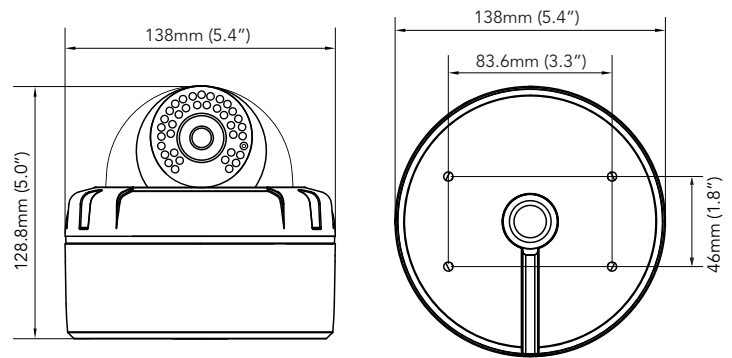
The AVYCON AVC-VA92SVLT camera is a 2.4MP HD-TVI Vandal Dome AIVF Lens camera. This camera includes a 2.8~12mm MP DC AIVF Lens. This model comes in white color.

FUNCTIONS

- 1/3" 960H Interline Transfer Type Color CCD Sensor
- High Resolution 700TV Line
- 0.1"~0.5" (2.8 ~ 12mm) DC Auto Iris Lens (ICR-Optional)
- 36 IR LEDs Up to 95ft(29m).
- 0.0001Lux @F1.2 (Sens-up x1024)
- 3DNR (Digital Noise Reduction)
- Built-in OSD Controller, 2nd BNC Connector & Heater
- DC 12V ($\pm 10\%$) / AC 24V ($\pm 10\%$)

DIMENSIONS

Unit : inch (mm)



AVC-VA92SVLT

2.4MP VANDAL DOME AIVF LENS CAMERA

SPECIFICATIONS

GENERAL

Image Sensor	1/2.9" 2.4 Megapixel Sony Exmor CMOS
Image Resolution	1920 × 1080
Scanning System	Progressive
Video Output	HD-TVI, EX-SDI / EX-SDI, CVBS (OSD Selectable)
S/N Ratio	More than 52dB
Min. Illumination	0.02Lux (Sens-up x32)
Iris Adjustment	ALC / ELC
Lens	0.2" ~ 2"(5.0 ~ 50mm) MP DC Auto Iris Varifocal Lens (ICR)
Electronic Shutter	NTSC: Off / Auto (1/30 ~ 1/30,000) FLK Manual (x2 ~ x30) PAL: Off / Auto (1/25 ~ 1/25,600) FLK Manual (x2 ~ x30)
OSD Language	English / Chinese / Japanese / Korean
Backlight Compensation (BLC)	Yes
Day & Night	Color / B/W / External / Auto
Auto Gain Control (AGC)	Level (0 ~ 10) Adjustment
White Balance	Auto / Auto-EXT / Preset / Manual
Privacy Masking	On / Off (Programmable 16 zones)
DNR	Off / Low / Middle / High
Defog	On / Off
Adaptive Contrast Enhancement (ACE)	Off / Low / Middle / High
Sens-up	Off / x2 ~ x32
Motion Detection	4 Areas
Digital Effect	Off / V-Flip / Mirror
Defect Correction	Live DPC (Dead Pixel Correction)
RS-485	Yes, UTC (Up-the-Coax)
IR LED	AIB-IR™: 6pcs (200ft.*)
Input Voltage	DC 12V (±10%) / AC 24V - Dual Voltage
Heater Operation	The Internal Temperature
Specification	Off: 20° / On: -20°
Power Consumption	DC IR Off: 300mA (Max.) / DC IR On: 800mA (Max.) AC IR Off: 250mA (Max.) / AC IR On: 700mA (Max.)
Operating Environment	-40°F ~ 140°F (-40°C ~ 60°C) / 10% ~ 90% Relative Humidity



AVYCON[®]

Copyright © AVYCON. All rights reserved. Specifications and pricing are subject to change without notice.

phone: 949-752-7606

email: info@avycon.com

social: @avycon_aivo

website: avycon.com